

A94

Adjustable Furring Channel Clip

GEOMETRIC PROPERTIES

Width	3"
Weight (lbs.)	0.05
Gauge	20 GA
Thickness	33mil
Length	6"

DESIGN FEATURES

- Made in the USA
- Max 4" distance between underside of Joist and top of the furring channel flange
- Incremental slot adjustability up to 11/16"
- 2 step locking system:
 - Smaller slots at the end of the clip to keep the furring channel tight.
 - Angled up teeth to lock the channel into the clip once weight is applied.
- Made with heavy gauge 33mil 20ga steel.
- 2 dimpled ribs running parallel to provide extra strength.
- 4 smaller added holes for installing on angled ceilings and for added strength.

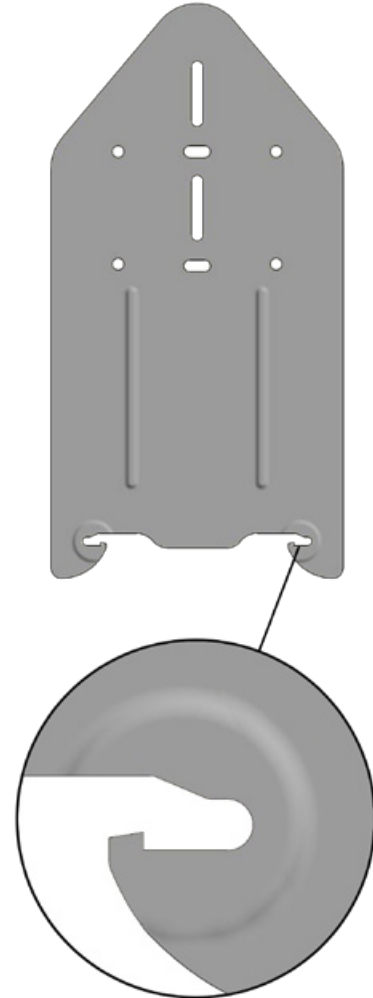
INSTALLATION STEPS

- Snap a chalk line every 24" perpendicular to the joists.
- Fasten the A94 every 24"-36" along the line into one of the 2 long vertical slots on the clip. Be sure the clip is within 1" of where you need it to be.
- Snap furring channel into clip.
- Should you need to re-adjust the clip and furring channel to level your ceiling, back the screw in the long slot out a little and adjust the clip using a level parallel and perpendicular to the furring channel, or laser level helps to true out and level a ceiling.
- Once the furring channel is at the correct height, fasten off the screw in the long slot, and fasten a 2nd screw into the smaller slot to secure it.

INSTALLATION NOTES

- Spaced max. 24"x 36"oc – Locate the first and last row of furring channel within 3"-6" of the perimeter.

A94



CLIP LAYOUT

