

Resilmount A106R

Purlin to Furring Channel Low Profile Sound Isolation Clip



DESCRIPTION

The A106R is a combination of the A237R and the M-100 4" 14 Ga bracket. The A237R is attached to the 4" leg of the bracket.



APPLICATION

Resilmount A106R is an engineered sound isolation clip used to reduce airborne and structure-borne vibration. The A106R is perfect for applications where maximum ceiling height is needed.



FEATURES

- Engineered thermoplastic rubber outperforms standard rubber because of its sound absorbing characteristics.
- The A106R allows a minimum of 1/4" cavity for applications where adjustment is needed.
- Creates a smaller cavity between the framing and the ceiling.
- Can be used with standard drywall furring channel.



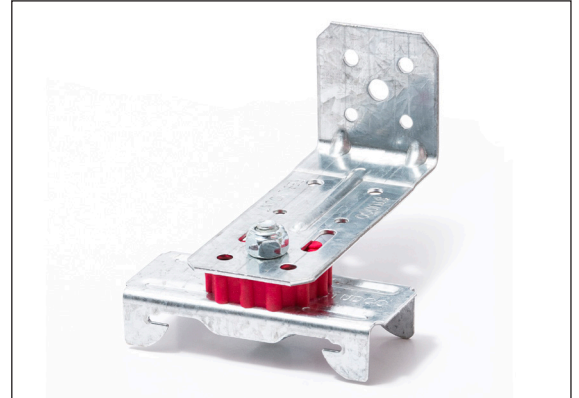
INSTALLATION NOTES

- The A106R fastens directly to the side of wood or steel joists creating an air space below the joists as little as 1/4".
- Acoustical capacity: 22 Lbs
- The Resilmount sound isolation clip (A106R) must be installed a maximum of 48 inches (1219mm) apart, oriented perpendicular to the joist or truss.

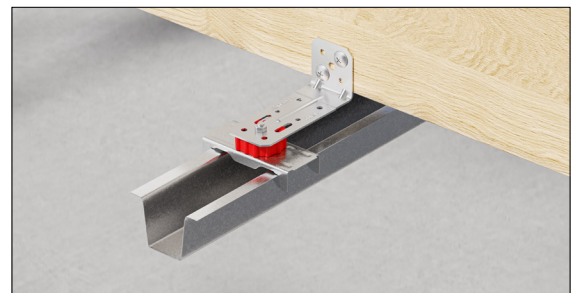


DYNAMIC CHARACTERISTICS

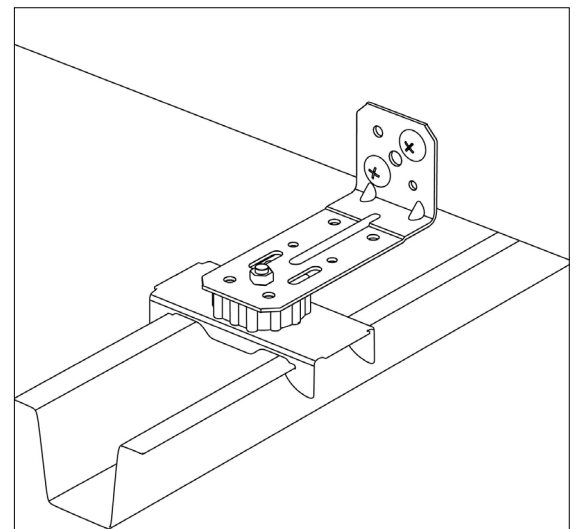
The Resilmount A106R is an engineered sound isolation clip used to reduce airborne and structure-borne vibration. The A106R is perfect for applications where maximum ceiling height is needed. All Resilmount products are precision manufactured by Studco Building Systems for complete control over the quality of each individual piece, in order to meet or exceed the architectural specifications required of each resilient mount. The patented resilmount rubber insert has been independently tested and approved for use in the USA.



A106R



A106R INSTALLATION



A106R INSTALLATION

Resilmount A106R

Purlin to Furring Channel Low Profile Sound Isolation Clip

SPECIFICATIONS

| Code | Bracket Height | Clip Depth | Weight Capacity (lbs) |
|-------|----------------|------------|-----------------------|
| A106R | 2 9/16" | 3 15/16" | 22 |

FASTENERS

Wood Joists: #8 x 2" Course Heads (A)
 Steel Joists: #8, #10 or #12 x 1-5/8" self tapping (B)

RELATED PRODUCTS

A96R Purlin to Furring Channel Sound Isolation Bracket
 A237R Furring Channel Sound Isolation Clip
 A48R Right Angle Sound Isolation Bracket
 A24R Chase Wall Joiner Sound Isolation Bracket

WARRANTY

This product is covered by a year warranty. Conditions and limitations of guarantees and warranties are set out in Studco Project Guarantee certificate.

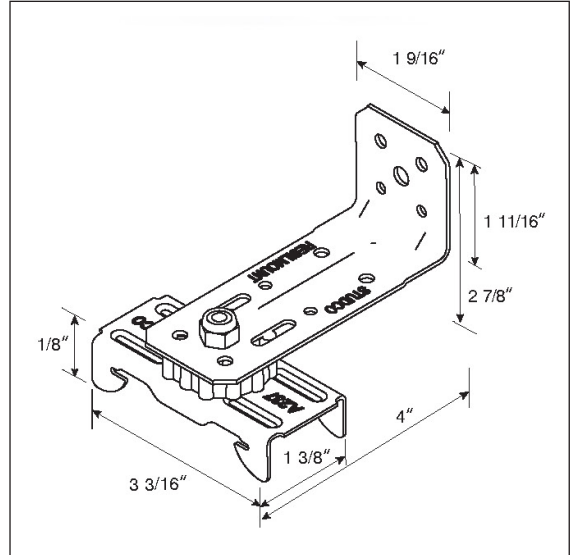
FURTHER ASSISTANCE

Contact the technical engineering team at Studco Technical Services for assistance with specifications, product selection, acoustic engineering and structural engineering enquiries. Tel: 800 675 8023 or email sales@resilmount.com

ACCREDITATION/CERTIFICATION



A106R DIMENSIONS



FASTENERS

