

# Resilmount A106R

## Purlin to Furring Channel Low Profile Sound Isolation Clip

Installation Instructions



### A106R SPECIFICATIONS

**Width:** 3 3/16"  
**Height (including rubber):** 2 9/16"  
**Max spacing between clips:** 48" OC  
**Acoustical Design Load:** 22Lbs.



### SPECIFICATIONS

Code	Bracket Height	Clip Depth	Weight Capacity (lbs)
A106R	2 9/16"	3 15/16"	22



### INSTALLATION NOTES

- The A106R fastens directly to the side of wood or steel joists creating an air space below the joists as little as 1/4".
- Acoustical capacity: 22 Lbs
- The Resilmount sound isolation clip (A106R) must be installed a maximum of 48 inches (1219mm) apart, oriented perpendicular to the joist or truss.



### FASTENERS

Wood Joists: #8 x 2" Course Heads (A)  
 Steel Joists: #8, #10 or #12 x 1-5/8" self tapping (B)



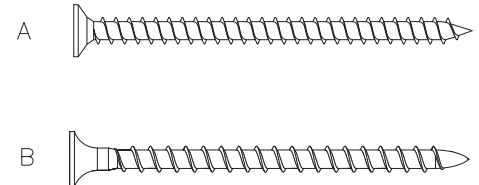
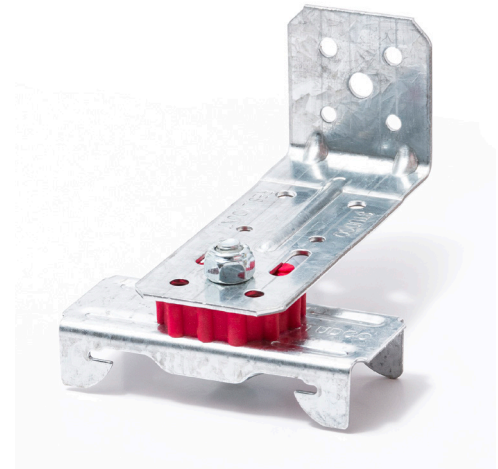
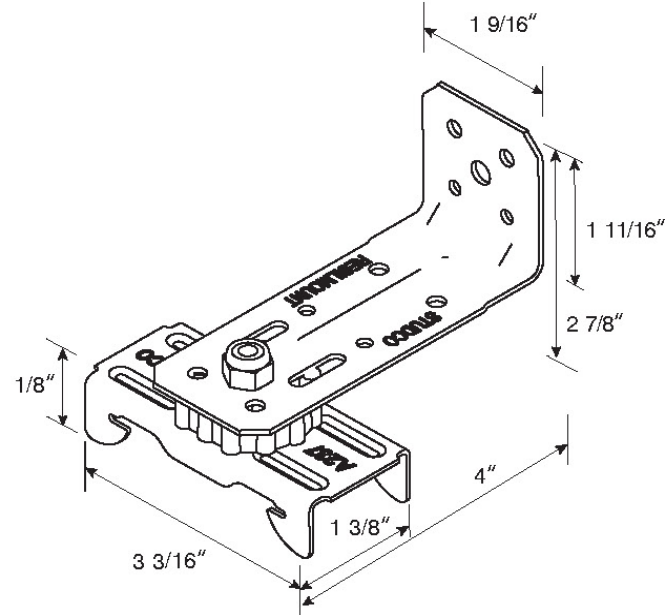
### METAL FURRING CHANNEL

#### SPECIFICATIONS:

**Minimum:** 25 Guage with hemmed edge  
**Depth:** Max. 7/8" or 1 1/12" (15 mil.)  
**Width at top:** Max. 1 1/4" (15 mil.)  
**Width flange to flange:** Min. 2 1/2" Max. 2 5/8"

When splicing metal furring channel overlap 6 inches in between two Resilmount clips. Secure the channel with two 7/16" framing screws of 18 Guage tie wire can be used.

**Splicing:** Furring channel splicing should take place between the clips.



# Resilmount A106R

## Purlin to Furring Channel Low Profile Sound Isolation Clip

### CEILING INSTALLATION GUIDE

#### STEP 1

The Resilmount sound isolation clip (A106R) must be installed a maximum of 48 inches (1219mm) apart, oriented perpendicular to the joist or truss.

#### STEP 2

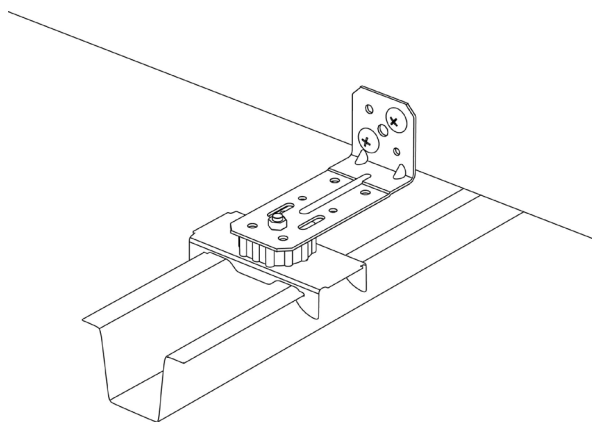
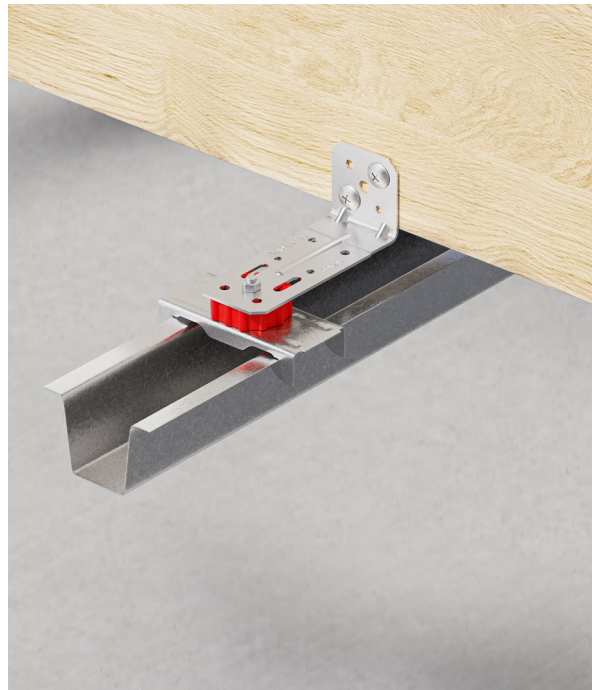
Secure the Resilmount sound isolation clip (A106R) to either the wood or steel joist, making sure that the A106R is aligned in the same horizontal or perpendicular plane as the furring channel.

#### STEP 3

Confirm that the metal “L” bracket is firmly attached to the framing member.

#### STEP 4

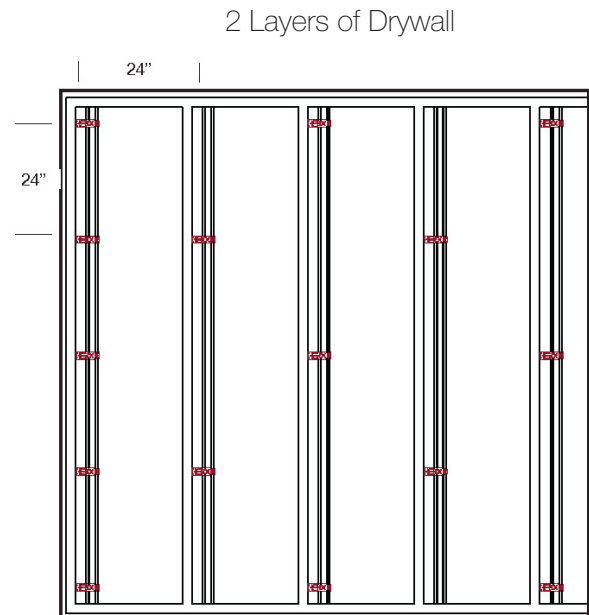
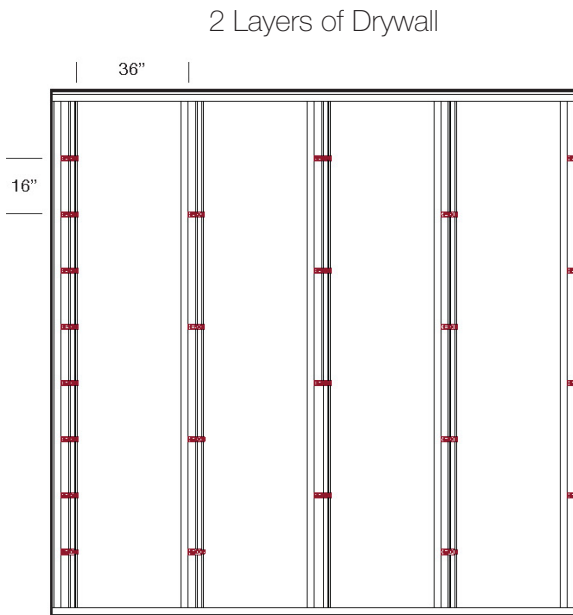
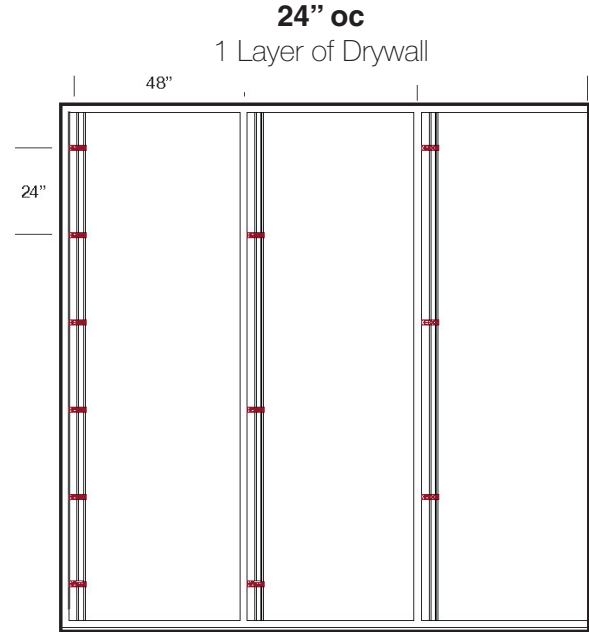
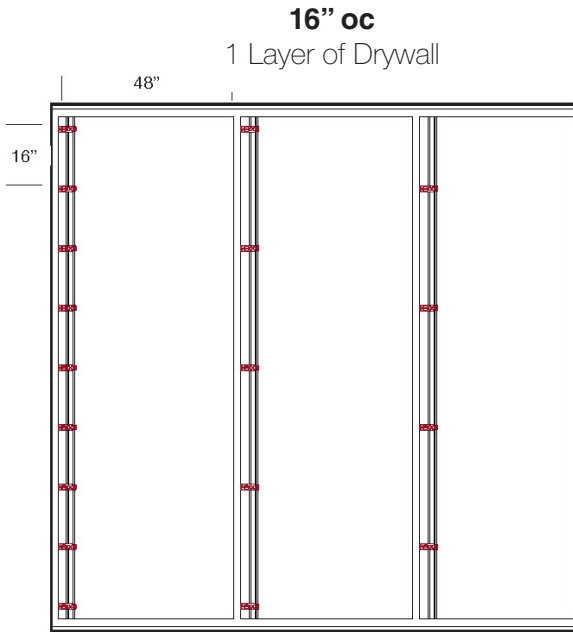
Insert the drywall furring channel into the A106R clip, positioning it either perpendicular or parallel to the framing members.



# Resilmount A106R

## Purlin to Furring Channel Low Profile Sound Isolation Clip

### **FIXING LAYOUTS**



Clips @ 16" x 36"

Clips @ 24" x 24"

This document is subject to change without notice - please check with Resilmount regarding latest version prior to using. This document is subject to Studco's published terms and conditions.

**For Technical Support and Sales Enquiries, please contact Studco Building Systems 800.675.8023**