

Resilmount A237CR

Cold Rolled Channel to Furring Channel Sound Isolation Clip

DESCRIPTION

The A237CR furring channel to Cold Rolled Channel (CRC) provides sound isolation between the ceiling primary suspension channel and the furring channel, to which drywall is fixed to.

FEATURES

- Wraps around the Cold Rolled Channel (CRC) and locks into position with a single rotation.
- Connects to 7/8" or 1 1/2" furring channel via an effortless 2 step locking system.
- Resilmount patented thermoplastic rubber outperforms standard rubber because of its sound absorbing characteristics.
- A237CR can easily be moved along the CRC to line up with the required furring channel.
- Metal ribs deliver extra clip strength.
- Tested for STC and IIC.
- Consistent and reliable quality - manufactured under ISO 9001 quality control system.
- Resilmount is the most cost effective way to isolate airborne noise.

APPLICATION

The A237CR attaches to both the CRC (Cold Rolled Channel) and 7/8" or 1 1/2" furring channel. The A237CR decouples the gypsum board from the CRC for optimum performance.

INSTALLATION NOTES

The top clip on the A237CR fits directly over the CRC and locks into place when fitted into the clip. The bottom of the clip accepts standard furring channel which enables the gypsum board to be decoupled from the framing above.

DYNAMIC CHARACTERISTICS

Resilmount's patented thermoplastic rubber outperforms standard rubber because of its unique natural absorbing characteristics. Resilmount's unique sound cell design guards against structure borne vibrations transferring into the body of the resilmount because of its strong column design providing a small percentage of contact surface area with the structure or substrate it is fastened to. This aids in absorbing and breaking up airborne sound at its transfer point.



A237CR



Resilmount A237CR

Cold Rolled Channel to Furring Channel Sound Isolation Clip

SPECIFICATIONS

Code	Clip Height	Metal Thickness	Clip width x length
A237CR	3 1/16"	0.047" / 18 gauge	1 3/8" x 3 1/8"

#Lead time and minimum quantities may apply.

WARRANTY

This product is covered by a year warranty. Conditions and limitations of guarantees and warranties are set out in Studco Project Guarantee certificate.

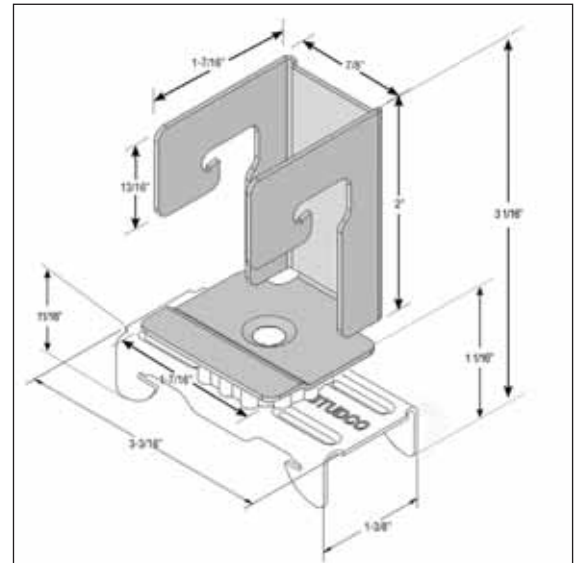
RELATED PRODUCTS

- A237 Direct Fix Furring Channel Mount.
- A237R Furring Channel Clips - Direct Fixing
- A237BR Bar Joist to Furring Channel Isolation Clip

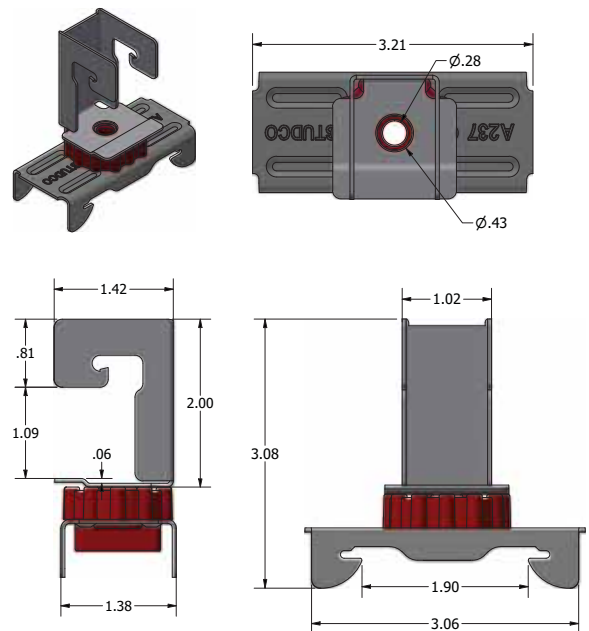
FURTHER ASSISTANCE

Contact the technical engineering team at Studco Technical Services for assistance with specifications, product selection, acoustic engineering and structural engineering enquiries.
 Tel: 800 675 8023 or email sales@resilmount.com

ACCREDITATION/CERTIFICATION



A237CR DIMENSIONS



Studco A237CR Datasheet_US_DS_SP_0824

Product Datasheet