

Resilmount A48R

Right Angle Sound Isolation Bracket

A48R SPECIFICATIONS

Width: 1 9/16"
Height (including rubber): 4-3/8"
Max spacing between clips: 48" OC
Acoustical Design Load: 48Lbs.

SPECIFICATIONS

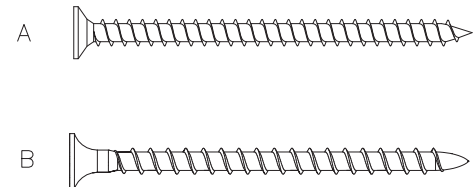
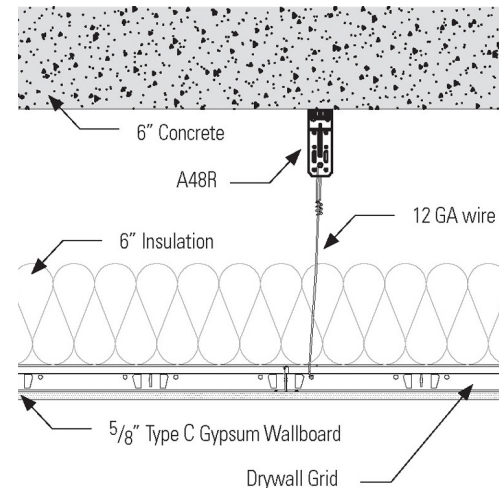
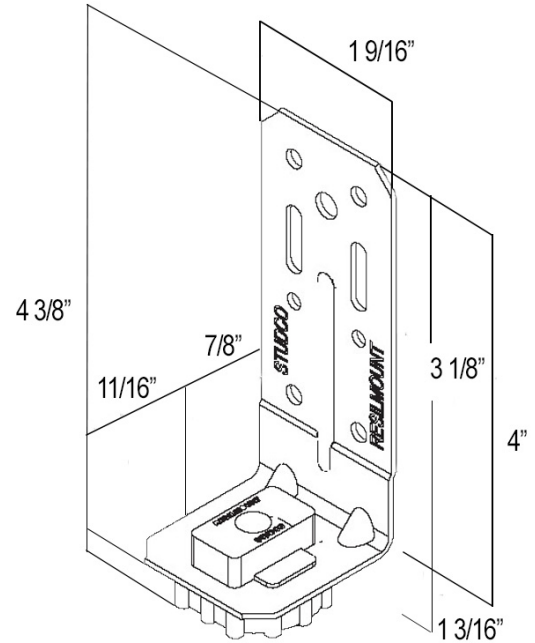
| Code | Bracket Height | Weight Capacity (lbs)* |
|------|----------------|------------------------|
| A48R | 4 3/8" | 48 |

INSTALLATION NOTES

- Unique, patented sound cell design to break up and absorb airborne sound.
- Engineered thermoplastic rubber outperforms standard rubber because of its sound absorbing characteristics.
- A48R is perfect for decoupling wall and ceiling systems.
- A48R can be used to decouple almost anything from garage door motors to lockers.
- Resilmount is the most cost effective way to isolate airborne noise.
- Strong 'column' design provides minimal contact area with substrate whilst maintaining maximum structural integrity.
- Provided with several 3/16" slotted holes in bracket surface, suitable for direct fastening applications.
- 1/4" hole for more common fittings like 3/16" suspension rod.

FASTENERS

Wood Joists: #8 x 2" Course Heads (A)
 Steel Joists: #8, #10 or #12 x 1-5/8" self tapping (B)



Resilmount A48R

Right Angle Sound Isolation Bracket

CEILING INSTALLATION GUIDE

STEP 1

Resilient Sound Isolation Clip (A48R) shall be maximum 48 inches by 48 inches on center maximum.

STEP 2

Fasten the Resilient Sound Isolation Clip (A48R) to the substrate with approved fasteners.

Wood Joists: #8 x 2" Course Heads
Steel Joists: #8, #10, #12 x 1-5/8" self tapping

STEP 3

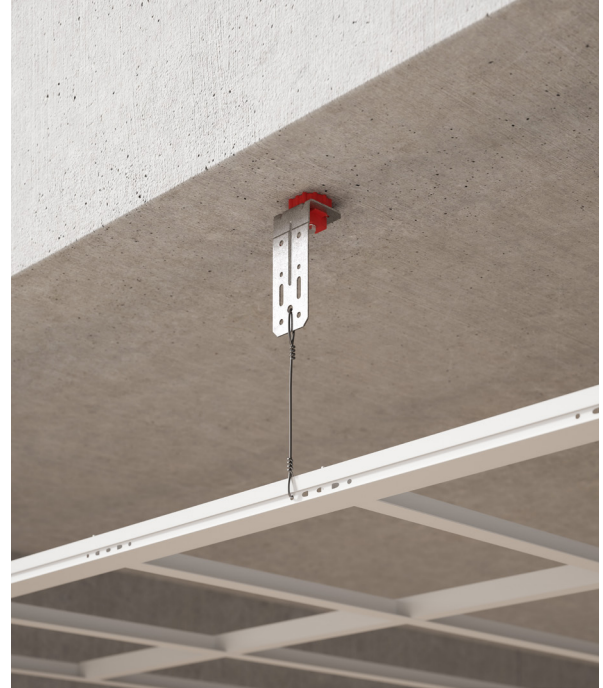
Locate the first and last row of A48R clips within 3-6 inches from the wall.

STEP 4

Minimum 12 GA hanger wire tied through the existing 1/4" hole in the vertical leg of the A48R clip.

STEP 5

When using tie wire attached to the A48R clip to hang a drywall grid ceiling follow the installation instruction provided by the manufacturer of the grid ceiling system.



Installation Instructions

Resilmount A48R

Right Angle Sound Isolation Bracket

WALL INSTALLATION GUIDE

STEP 1

Resilient Sound Isolation Clip (A48R) shall be spaced to support 48lbs maximum.

STEP 2

Locate the A48R clips within 3-6 inches from the wall.

STEP 3

Fasten the Resilient Sound Isolation Clip (A48R) to the structure's substrate with 2 (min) approved fasteners.

STEP 4

Ensure the clip is secure to the framing member.

STEP 5

A48R shall be maximum 48 inches by 48 inches on center maximum.



Installation Instructions