

Resilmount A96R

Purlin to furring channel sound isolation bracket

A96R SPECIFICATIONS

Width: 1-3/8"
Height (including rubber): 4-3/4"
Max spacing between clips: 48" OC
Acoustical Design Load: 55Lbs.

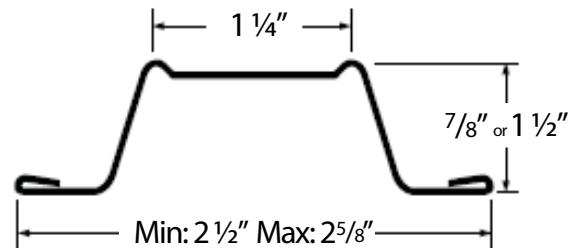
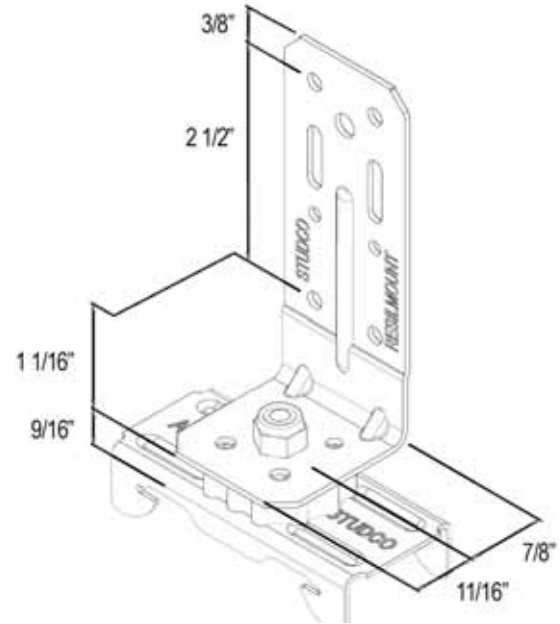
SPECIFICATIONS

Code	Bracket Height	Weight Capacity (lbs)*
A96R	4 3/4"	48

*Height of rubber on top of clip

METAL FURRING CHANNEL SPECIFICATIONS:

Minimum: 25 Gauge with hemmed edge
Depth: Max. 7/8" or 1 1/2" (15 mil.)
Width at top: Max. 1 1/4" (15 mil.)
Width flange to flange: Min: 2 1/2" Max: 2 5/8"
 When splicing metal furring channel overlap 6 inches in between two Resilmount clips. Secure the channel with two 7/16" framing screws or 18 Gauge tie wire can be used.
Splicing: Furring channel splicing should take place between the clips.



INSTALLATION NOTES

- A96R to be fastened to structure with a minimum #8 scrw or masonry sleeve anchors. (See fasteners manufacturers specifications).
- Load capacity: 55lbs. maximum dead load
- Maximum spacing of clips on furring channel is 48".
- Spacing between furring channel channels should not exceed 24".

This document is subject to change without notice - please check with Resilmount regarding latest version prior to using. This document is subject to Studco's published terms and conditions.

For Technical Support and Sales Enquiries, please contact Studco Building Systems 800.675.8023

1700 BOULTER INDUSTRIAL PARKWAY WEBSTER NY 14580 | PH: 800.675.8023 | sales@resilmount.com | www.resilmount.com

Installation Instructions

Resilmount A96R

Purlin to furring channel sound isolation bracket

CEILING INSTALLATION GUIDE

STEP 1

Review fixing layout guidelines before starting installation of the ceiling.

STEP 2

Space Resilmount A96R so not to exceed 48" OC. Secure the clip with at least one fastener on each side of the metal bracket.

Wood Joists: #8 x 2" Course Heads

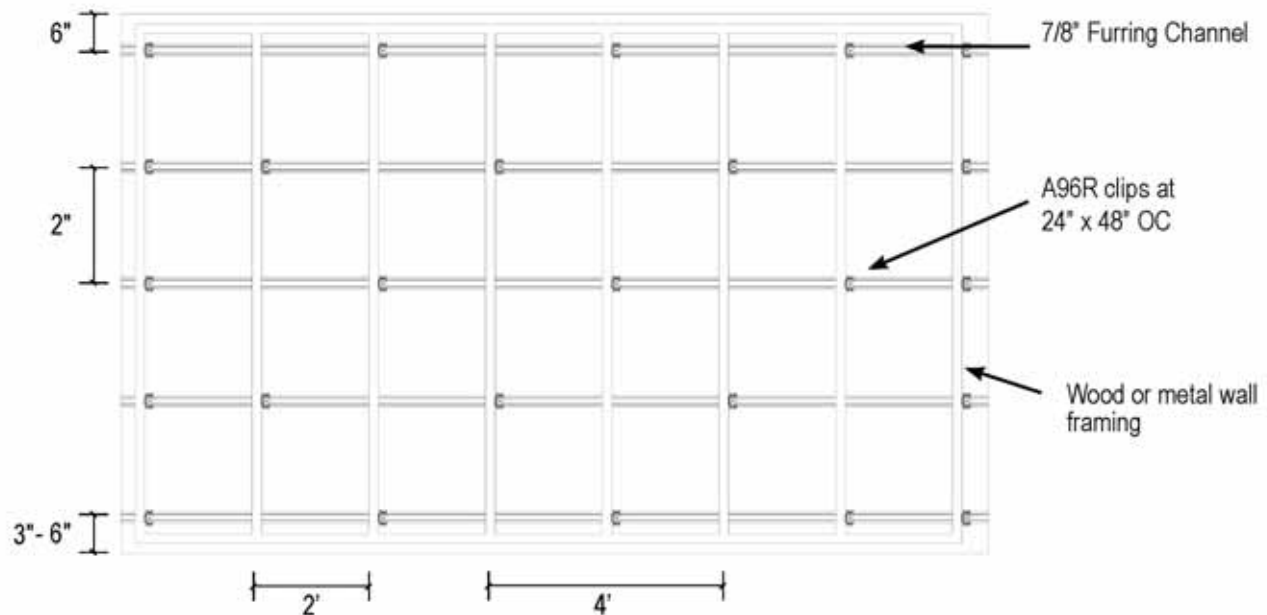
Steel Joists: #8, #10, #12 x 1-5/8" self tapping

STEP 3

Snap metal furring channel into Resilmount A96R.



FIXING LAYOUT



This document is subject to change without notice - please check with Resilmount regarding latest version prior to using. This document is subject to Studco's published terms and conditions.

For Technical Support and Sales Enquiries, please contact Studco Building Systems 800.675.8023

1700 BOULTER INDUSTRIAL PARKWAY WEBSTER NY 14580 | PH: 800.675.8023 | sales@resilmount.com | www.resilmount.com